

*Model EOU 5330*

## IMPORTANT SAFETY INFORMATION

These warnings are provided in the interests of your safety. Ensure that you understand them all before installing or using the appliance. Your safety is of paramount importance. If you are unsure about any of the meanings of these warnings contact the Customer Care Department. The address is on the back page of this book.

### INSTALLATION

The appliance **must** be installed according to the instructions supplied. The installation work must be undertaken by a qualified electrician/competent person.

The appliance must be installed in an adequately ventilated room.

**NOTE:** It is imperative that the appliance is left in the base to protect both the appliance and the floor.

This appliance is heavy and care must be taken when moving it. **Do not** try to lift or move the appliance by pulling the door handles.

Warning: **Do Not** attempt to lift this appliance by the handles.

All packaging, both inside and outside the appliance must be removed before the appliance is used.

It is dangerous to alter the specifications or modify the appliance in any way.

After installation please dispose of the packaging with due regard for safety and the environment.

Your local authority can arrange this.

### CHILD SAFETY

**Do not** allow young children to play with any part of the packaging.

This appliance is designed to be operated by adults. Young children must **not** be allowed to tamper with the controls or play near or with the appliance.

During use the appliance becomes **hot**, care should be taken to avoid touching heating elements inside the oven.

**CAUTION: Accessible parts may be hot when the grill is in use. Young children should be kept away.**

### DURING USE

This appliance is not intended to be operated by means of an external timer or separate remote control system.

This appliance has been designed for domestic use to cook edible foodstuffs only, and must **not** be used for any other purposes.

Take great care when heating fats and oils as they will ignite if they become too **hot**.

Never place plastic or any other material which may melt in or on the oven.

**Do not** stand too close to the oven or grill while in use as warm air will exhaust from the grill cavity and the vents on the front frame of the appliance.

**Do not** leave the grill pan handle in position when grilling and ensure oven gloves are used to remove and replace the handle, as it will become **hot**.

Always use oven gloves to remove and place food in the oven.

Ensure that all vents are left unobstructed to ensure ventilation of the oven cavity.

Never line any part of the appliance with foil.

Stand clear when opening the drop down oven doors. Support the doors using the handles until fully open.

**Never leave the appliance unattended when the oven door is open.**

**Do not** place sealed cans or aerosols inside the oven. They may explode if they are heated.

Ensure that all control knobs are in the OFF position when not in use.

**Do not** stand on the appliance or on the open oven doors.

**Do not** hang towels, dishcloths or clothes from the appliance or its handles. They are a safety hazard.

### CLEANING AND MAINTENANCE

The appliance is heavy and care must be taken when moving it.

**For hygiene and safety reasons this appliance should be kept clean at all times. A build-up of fats or other foodstuffs could result in a fire especially in the grill pan.**

**Do not** leave cookware containing foodstuffs, e.g. fat or oil in the appliance in case it is inadvertently switched on.

Always allow the cooling fan to cool the appliance down before switching off at the wall prior to carrying out any cleaning / maintenance work.

Only clean this appliance in accordance with the instructions given in this book.

### SERVICE

Repairs should not be carried out by inexperienced persons as this may cause injury or serious malfunction. This appliance should be serviced by an authorised Service Engineer and only genuine approved spare parts should be used. Details of servicing and repair arrangements are supplied on page 28 of this book.

### AT THE END OF THE APPLIANCE'S LIFE

When the time comes to dispose of your appliance please contact your local Council Authority. They can arrange to dispose of the appliance in a safe and controlled manner. The number will be in the telephone book.

**Please read the instruction book carefully before use and retain for future reference.**

# CONTENTS

## FOR THE USER

<b>Important Safety Information</b>	2
<b>Description Of The Appliance</b>	4
Getting To Know Your Appliance	5
The Cooling Fan For The Controls	6
Control Panel Indicator Neon	6
<b>Before Using The Appliance</b>	7
When First Switching On	7
Rating Plate	7
Preparing To Use Your Appliance	7
Condensation And Steam	7
Cookware	8
Grill and Oven Furniture	8
<b>The Timer</b>	9
<b>The Dual Grill</b>	13
Using The Dual Grill	13
How To Use The Dual Grill	13
Things To Note	13
To Fit The Grill Shelf	13
The Grill Pan and Handle	14
Hints And Tips	14
Grilling Chart	16
<b>The Main Oven</b>	17
Uses Of The Main Oven	17
Preheating	17
Cooking Temperatures	17
Batch Baking	17
How to Use The Fan Oven	17
Things To Note	17
To Fit The Main Oven Shelves	18
Hints And Tips	18
<b>Main Oven Cooking Chart</b>	19
<b>Roasting Chart</b>	20
<b>Defrost Feature</b>	21
Uses Of Defrost Feature	21
How To Defrost	21
Things To Note	21
Hints And Tips	21

<b>Care and Cleaning</b>	22
Cleaning Materials	22
Cleaning The Outside Of The Appliance	22
Cleaning The Controls Knobs And Handles	22
Cleaning Inside The Oven And Grill Compartments	22
Care of Stayclean Surfaces	23
To Remove The Wirework Runners	23
Cleaning The Shelves, Wirework Runners And Grill/Oven Furniture	23
Cooking To Reduce Soilage	23
Cleaning The Outer And Inner Door Glass Panels	24
To Remove The Outer Glass	24
To Replace The Outer Door Glass	25
To Clean The Inner Glass Door	25
Replacing An Oven Light Bulb	25
<b>Something Not Working</b>	26
<b>Service and Spare Parts</b>	28
<b>Guarantee Conditions</b>	29

## FOR THE INSTALLER

<b>Technical Details</b>	30
Warnings	31
<b>Choice Of Electrical Connection</b>	31
Things To Note	32
Preparing Cabinet For Fitting Of Oven	33
How To Finish Unpacking	34
<b>Making The Electrical Connections</b>	35
To Remove Cover Of Mains Terminal	35
Connecting To The Mains Terminal	36
Connecting To A Hob Or Cooker Point	37
Checking Electrical Connections	37
<b>Fitting Into The Space Between Cabinets</b>	38
Notes	39

To help you the following symbols will be found in the text.



Hints and Tips

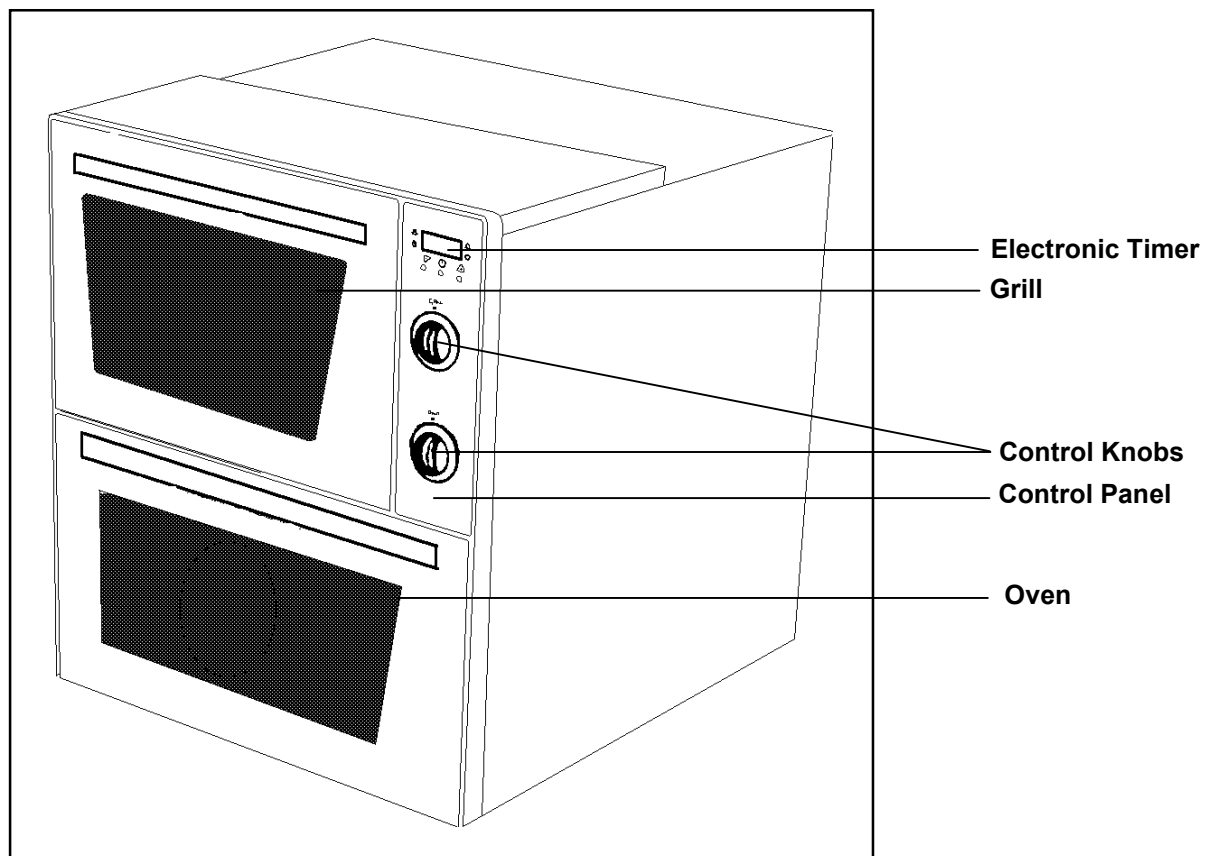


Safety Instructions

## DESCRIPTION OF THE APPLIANCE

### Built-under electric oven and grill

 **WARNING: THIS APPLIANCE MUST BE EARTHED**

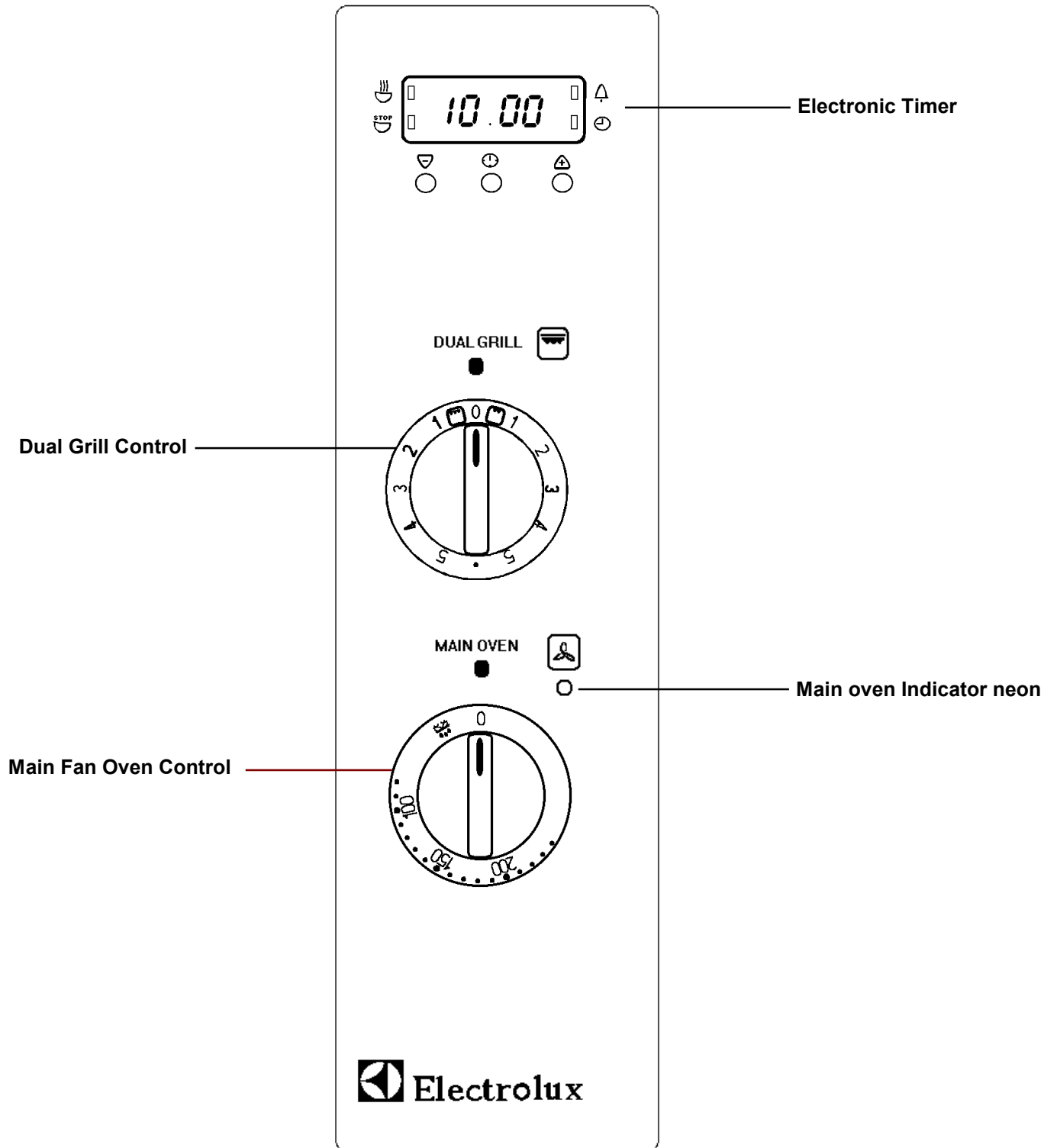


Your built-under appliance comprises of an electric oven and grill.

The main fan oven is the larger of the two ovens. It is particularly suitable for cooking larger quantities of food.

The oven can be automatically controlled by the electronic timer.

# The Control Panel



## THE COOLING FAN FOR THE CONTROLS

Your appliance has a cooling fan fitted behind the controls to prevent them from overheating.

The cooling fan will come on immediately when the grill is switched on and after a short time when the oven is in use.

The cooling fan may run on after the oven or grill is turned off for a period of time to cool the appliance down. It may continue to switch on and off until the appliance is cool.



**Always allow the cooling fan to cool the appliance down before switching off at the wall prior to carrying out any cleaning or maintenance work.**

---

### NOTE

The action of the cooling fan will depend on how long the oven or grill have been used and at what temperature. It may not run on where the grill or oven has only been used for a short time.

---



**Do not stand too close to the grill or oven when in use as warm air will exhaust from the grill cavity and oven vents.**

---

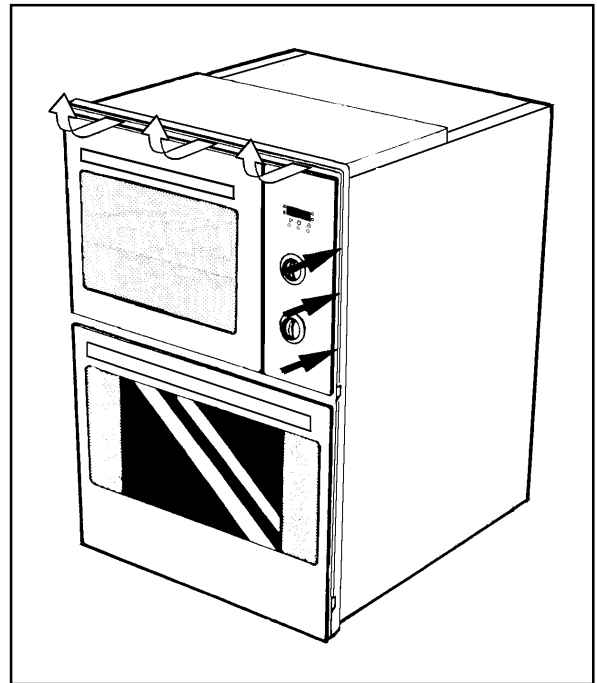
## CONTROL PANEL INDICATOR NEON

The light indicates whether the oven is switched on. This will turn on and off during use to show that the temperature is being maintained.

The Main Oven neon does not operate with the Defrost setting.

If the neon does not operate as the instructions indicate the control has been incorrectly set.

Return all controls to zero and re-set following the instructions for the required setting.



## BEFORE USING THE APPLIANCE

### WHEN FIRST SWITCHING ON

The timer must be set to manual operation before the fan oven can be operated. This must be done whenever the appliance is switched off at the wall or when there has been a power failure. For instructions on how to set the timer see page 9.

If the Main Oven indicator neon does not glow when the oven is switched on, it is most likely that the timer is set for automatic cooking.

The Grill is not controlled by the electronic timer.

### RATING PLATE

This is situated on the lower front frame of the appliance upon opening the door. Alternatively the rating plate may also be found on the back or top of some models (where applicable).

The appliance must be protected by a suitably rated fuse or circuit breaker. The rating of the appliance is given on the rating plate.

**Do not remove the rating plate from the appliance as this may invalidate the guarantee.**

### PREPARING TO USE YOUR APPLIANCE

Wipe over the base of the oven with a soft cloth and hot soapy water and wash the grill and oven furniture before use.

We suggest that you run the oven elements for 10 – 15 minutes at 220°C to burn off any residue from their surfaces.

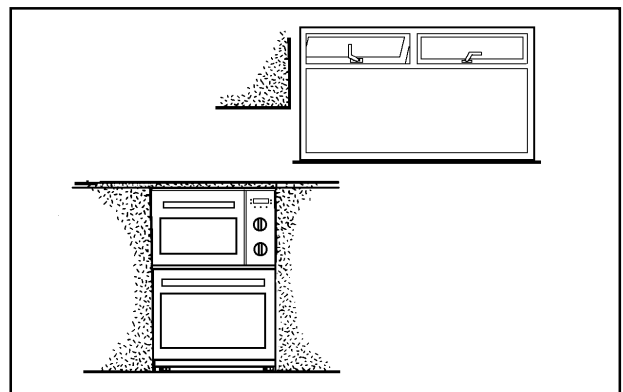
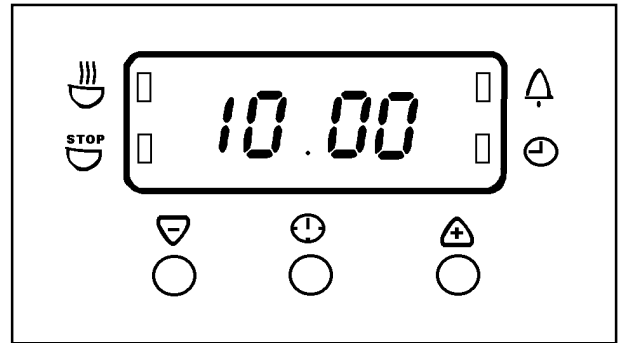
The procedure should be repeated with the grill for approximately 5 – 10 minutes.

During this period and odour may be emitted, it is therefore advisable to open a window for ventilation.

### CONDENSATION AND STEAM

When food is heated it produces steam in the same way as a boiling kettle does. The ovens are vented to allow some of this steam to escape. However, always stand back from the appliance when opening the oven doors to allow any build up of steam or heat to be released. If the steam comes into contact with a cool surface on the outside of the appliance, e.g. a trim, it will condense and produce water droplets. This is quite normal and is not caused by a fault on the appliance.

To prevent discolouration occurring, regularly wipe away condensation and any soilage from the appliance surfaces.

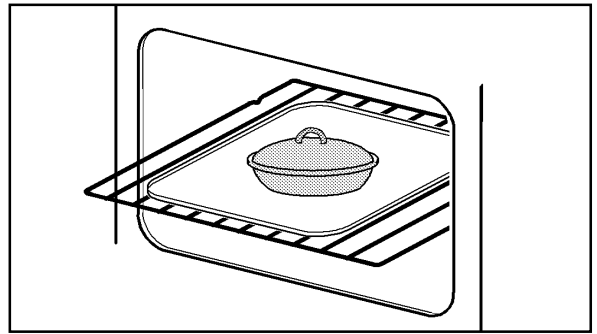


## COOKWARE

Baking trays, oven dishes etc., should not be placed directly against the grid covering the fan at the back of the oven.

**Do not** use baking trays larger than 30cm x 35cm (12" x 14") as they will restrict the circulation of heat and may affect performance.

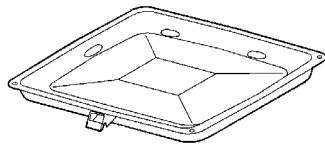
Advice on the effect of different materials and finishes of bakeware is given in 'Hints and Tips' in the appropriate oven section.



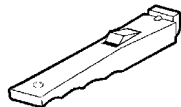
## GRILL AND OVEN FURNITURE

The following items of oven furniture have been supplied with the appliance.

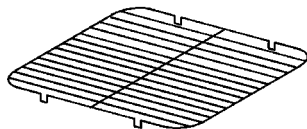
1 grill pan



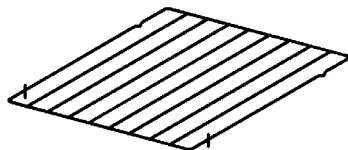
1 grill pan handle



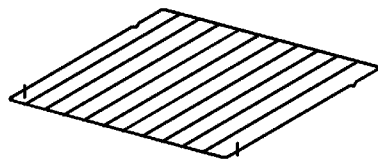
1 grill pan grid



1 shelf for grilling cooking only.



2 shelves for Main Oven cooking.





# THE TIMER

## KEY

- A COOK TIME
- B END TIME
- C COUNTDOWN
- D TIME OF DAY
- E DECREASE CONTROL
- F SELECTOR CONTROL
- G INCREASE CONTROL

## NOTE:

The time of day must be set before the oven will operate manually.

## 1. HOW TO SET THE TIME OF DAY

The oven has a 24 hour clock.

When the electricity supply is first switched ON, the display will show 12.00 and the 'Time Of Day' indicator neon will flash as Fig. 1.

To set the correct time press the increase control button (+) and if necessary, the decrease control button (-) until the correct time on the 24 hour clock is reached, e.g. 10.00am as Fig. 2. The 'Time Of Day' indicator neon will flash for 5 seconds and then go out.

**NOTE:** The increase and decrease control buttons operate slowly at first, and then more rapidly. They should be pressed separately.

## 2. HOW TO SET THE COUNTDOWN

The 'Countdown' gives an audible reminder at the end of any period of cooking. This cooking period may be up to 2 hrs 30 mins. It is not part of the automatic control.

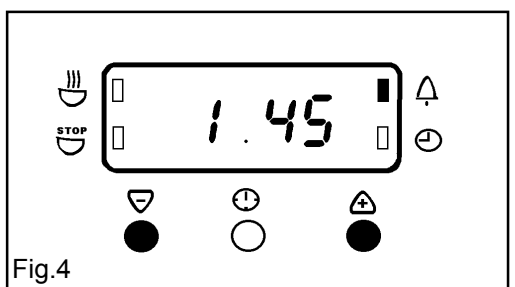
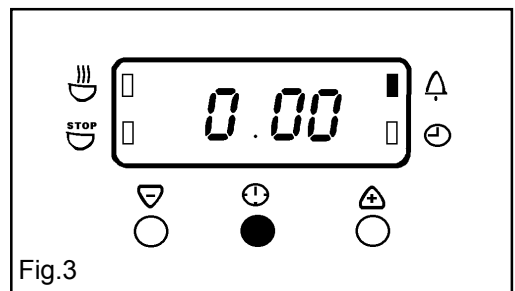
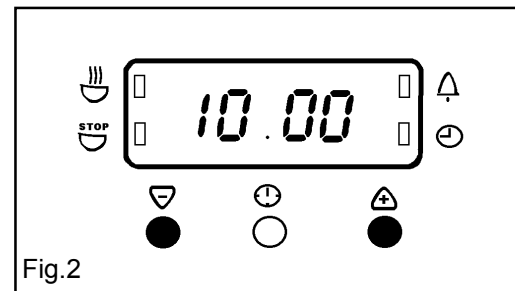
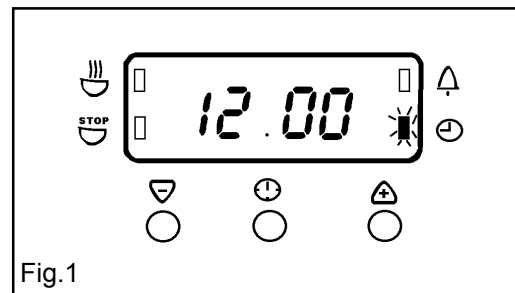
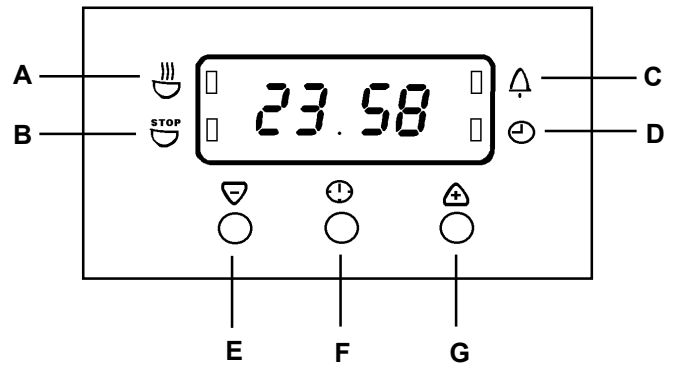
To set, press the Selector Control button until the 'Countdown' indicator neon is illuminated and the display reads 0.00 as Fig. 3.

To set the correct time duration depress the increase control (+) until the display indicates the interval to be timed, e.g. 1hr 45 mins as Fig. 4. If necessary depress the decrease control (-) to achieve the correct time interval.

**NOTE:** This must be completed within 5 seconds of first pressing the Selector Control button.

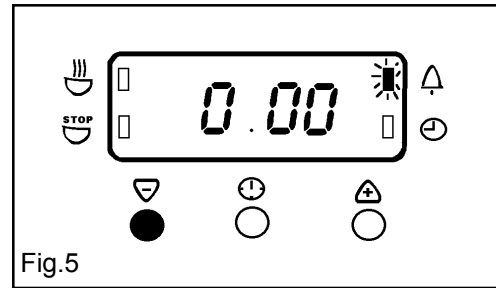
During the operation of the 'Countdown', the remaining time period will be shown in the display.

The 'Countdown' will sound intermittently for up to 2 minutes at the end of the timed period. The sound can be stopped by pressing any button.



## TO CANCEL THE COUNTDOWN

If you change your mind and want to cancel the 'Countdown', press the Selector Control button until the 'Countdown' indicator neon flashes then depress the decrease control (-) until 0.00 shows in the display as Fig. 5. The 'Countdown' indicator neon will continue to flash for a few seconds and then return to the time of day.



## 3. SETTING THE OVEN TIMER CONTROL

When using the timer control for the very first time, it is advisable to let it operate while you are at home. The displays can be checked to show that it is operating correctly and you will feel confident to leave a meal to cook automatically in the future.

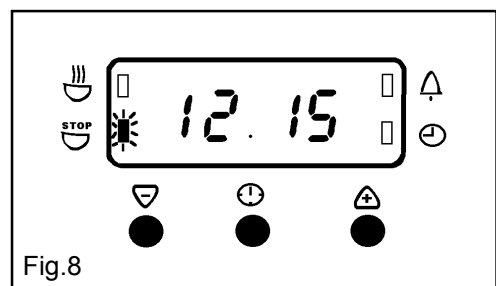
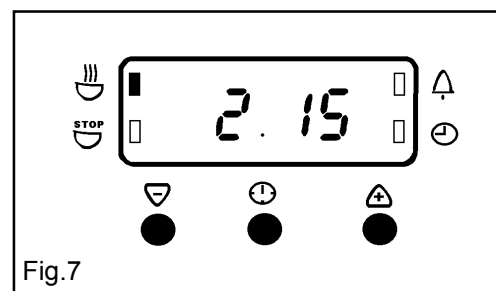
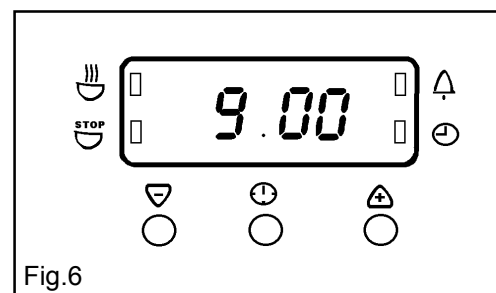
### A) TO SET THE TIMER TO SWITCH ON AND OFF AUTOMATICALLY

- i) Ensure the electricity supply is switched ON and that the correct time of day is displayed, e.g. 9.a.m. as Fig. 6.
- ii) Place food in oven.
- iii) To set the length of cooking time. Press the Selector Control button until the 'Cook Time' indicator neon is illuminated. Press the increase control (+) until the required length of cooking time is displayed, e.g. 2 hrs 15 mins as Fig. 7. If necessary depress the decrease control (-) until the correct time interval is achieved. The maximum cooking time is 10 hours.
- iv) Release the buttons. The 'Cook Time' indicator neon will be illuminated.

**Remember, this must be completed within 5 seconds of first pressing the Selector Control button.**

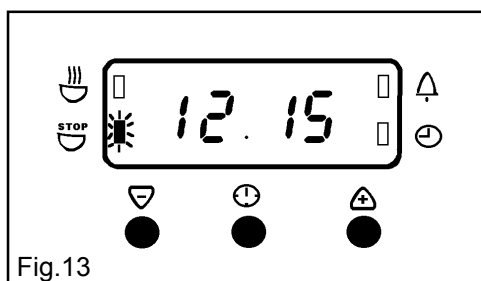
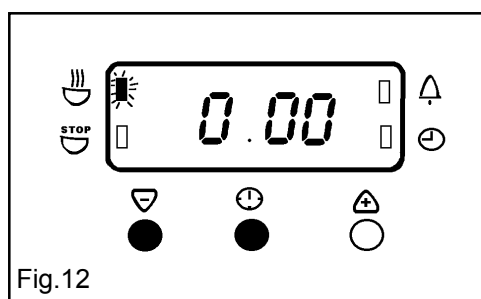
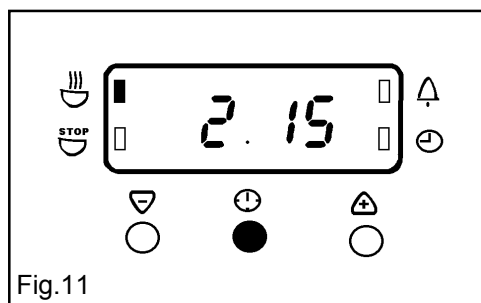
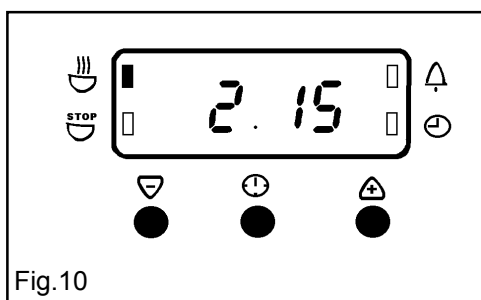
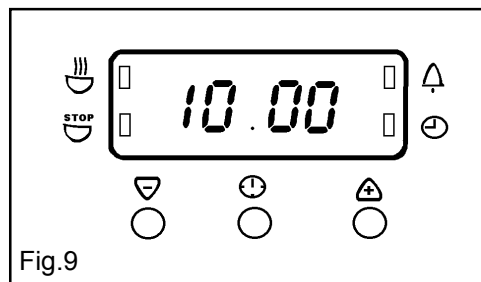
- v) To set the 'End Time'. Press the Selector Control button until the 'End Time' indicator neon flashes. Press the increase control button (+) until the required stop time is displayed, e.g. 12.15 p.m. as Fig. 8. If necessary depress the decrease control (-) until the correct time interval is achieved.
- vi) Release the buttons. The time of day will be displayed after 5 seconds. The 'Cook Time' and 'End Time' indicator neons will be illuminated. The 'End Time' must not be more than 23 hours 59 minutes from the time of day. For example, if the time of day is 09.00 a.m., the latest 'End Time' would be 08.59 a.m. the next day.
- vii) Set the oven control to the required temperature. The oven indicator neon should be OFF.

**NOTE: When the automatic timed period starts, the oven indicator neon will turn ON and OFF periodically during cooking, showing that the temperature is being maintained.**



## B) TO SET THE TIMER TO SWITCH OFF ONLY

- i) Ensure the electricity supply is switched ON and that the correct time is displayed, e.g. 10.00 a.m. as Fig. 9.
- ii) Place food in oven.
- iii) To set the length of cooking time, press the Selector Control button until the 'Cook Time' indicator is illuminated. Press the increase control button (+) until the required length of cooking time is displayed, e.g. 2 hrs 15 mins as Fig. 10. Depress the decrease control button (-) if necessary.
- iv) Release the buttons. The 'Cook Time' indicator neon will be illuminated and the time of day will be displayed after 5 seconds.
- v) Set the oven temperature. The oven indicator neon should be ON.
- vi) To check the 'End Time' during the cooking period, simply press the Selector Control button once and the remaining



## 4. TO CANCEL AN AUTOMATIC PROGRAMME

- i) To cancel an automatic programme press the Selector Control button until the 'Cook Time' indicator neon flashes. Press the decrease control until the display reads 0.00 as Fig. 12.
- ii) Release the buttons. The 'Cook time' indicator will flash and after 5 seconds return to the time of day.
- iii) Turn off oven control.

## 5. TO RETURN THE APPLIANCE TO MANUAL

At the end of a timed cooking period, the indicator neon will flash and an alarm will sound for up to 2 minutes.

- i) To stop the sound press any of the three buttons, as Fig. 13.
- ii) The display will return to the time of day.
- iii) Turn off the oven controls.

## 6. THINGS TO NOTE

In the event of an interruption of the electricity supply, the timer will reset itself to zero, and all programming will be cancelled.


## 7. AUTOMATIC COOKING

It is advisable to leave food in the oven for as short a time as possible before automatic cooking. Always ensure commercially prepared food is well within its use by date and that home prepared food is fresh and of good quality.

When cooking is complete, **do not** leave food to stand in the oven, but remove and cool it quickly if the food is not to be consumed immediately.

Always ensure food in the oven has been covered before cooking if it is not possible to remove food immediately after cooking.

## THE DUAL GRILL

 **WARNING – Accessible parts become hot when the grill is in use. Keep children away.**


### USES OF THE DUAL GRILL

The grill is situated in the top cavity compartment.

The grill is a dual circuit grill which means that the full area of the grill or the centre section only can be used. Use the full grill for cooking larger quantities of food. Use the centre section for economy purposes when cooking smaller quantities.


### HOW TO USE THE DUAL GRILL

1. Open the grill door.
2. Turn the grill control clockwise for full grill or anticlockwise for the centre section only.

 **The grill door must be left open when grilling.**

### THINGS TO NOTE

- The cooling fan for the controls will operate as soon as the grill control is turned. For more information on the operation of the cooling fan turn to page 6.
- The outer section of the grill element may appear to glow brighter than the inner section. This is quite normal.
- We recommend using the grill pan on the shelf in positions 3 or 5.

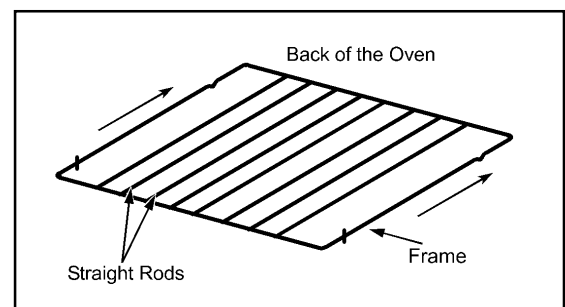
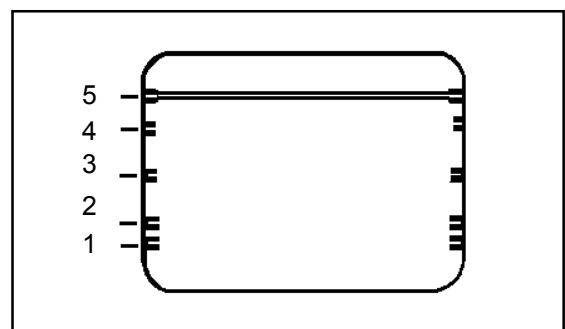
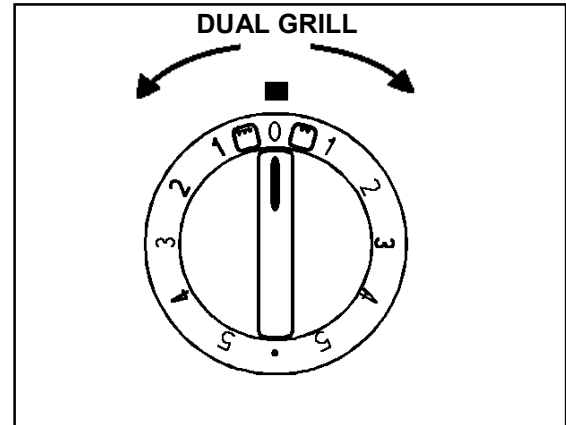
 **If you use the grill pan in position 3 the shelf must be withdrawn before the pan can be located or removed. Ensure the grill pan is properly located.**

### TO FIT THE GRILL SHELF

There are 5 shelf positions in the Grill. Shelf positions are counted from the bottom upwards.

The shelf should be fitted with the straight rods uppermost on the frame and the forms towards the back of the oven.

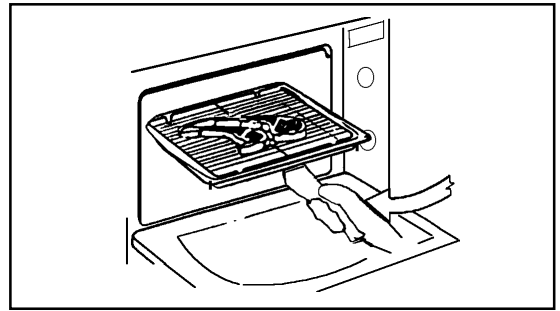
If not fitted correctly the anti-tilt and safety stop mechanism will be affected.



## THE GRILL PAN AND HANDLE

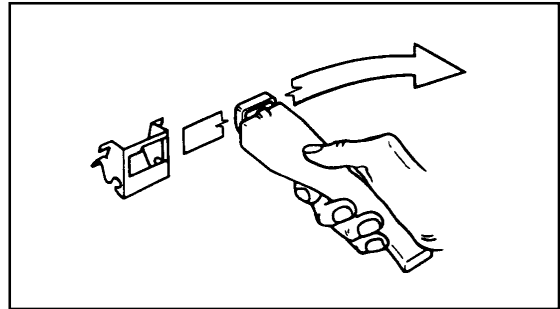
The grill pan has a removable handle.

To insert the handle, press the button on the handle with the thumb and pivot the handle slightly upwards inserting the lip into the widest part of the bracket. Move the handle towards the left, lower into position and release the button.



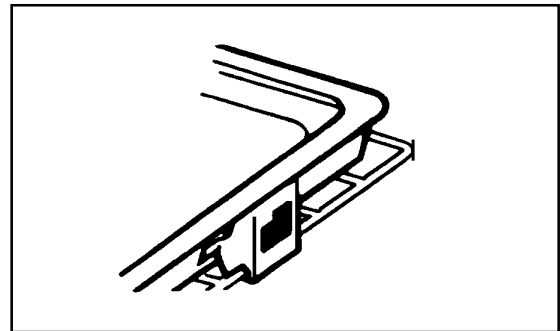
**⚠ Ensure the handle is positively located.**

To remove the handle, press the button on the handle with the thumb and pivot the handle slightly upwards and towards the right to remove from the bracket.



**⚠ Protect your hands when removing the grill pan handle.**

**Always remove the grill pan handle during grilling.**



To correctly locate the grill pan on the shelf, ensure that the cut out on the underside of the handle bracket locates over the front bar of the shelf.

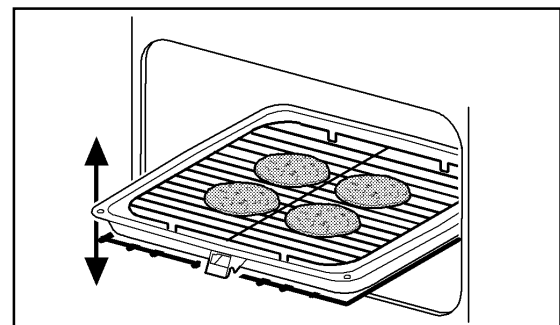
**⚠ The Grill Pan must not be located in the shelf runners.**

To check the progress of the food being grilled, the grill pan should be withdrawn on the shelf to attend to food during cooking.

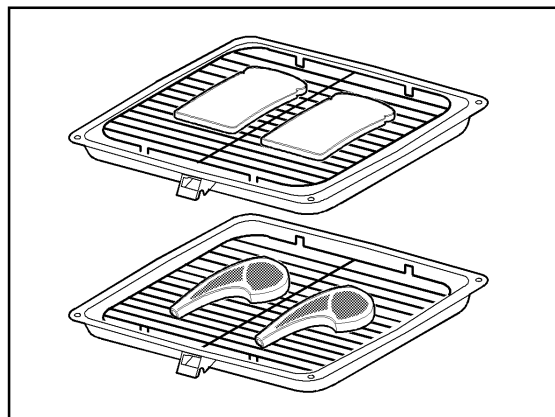
**⚠ Ensure that you support the grill pan when it is withdrawn.**

## **i** HINTS AND TIPS

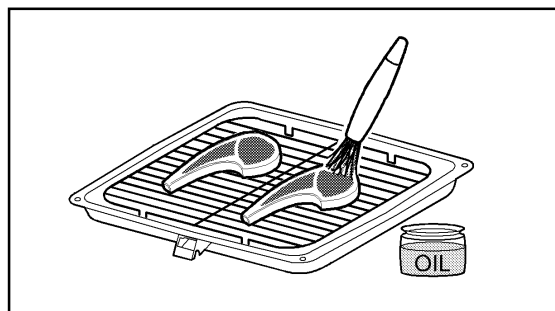
- Most foods should be placed on the grilling grid in the grill pan. This allows maximum circulation of air by raising the food out of fats and juices.
- Adjust the grid and grill pan runner to allow for different thicknesses of food. Position the food close to the element for faster cooking and further away for more gentle cooking.



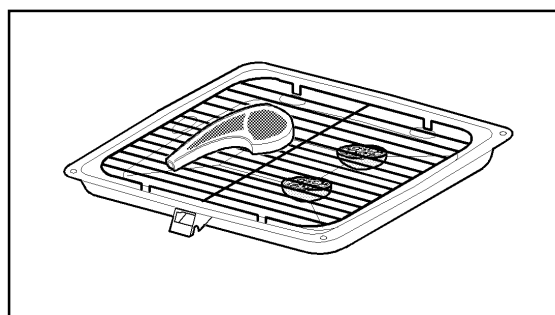
- The grill pan grid is reversible. This is useful if you want to cook foods of varying thicknesses. As a general rule, bread for toasting should be placed on the grid in the 'high' position in the grill pan. Foods such as chicken pieces or chops may be grilled using the grilling grid in the low position.



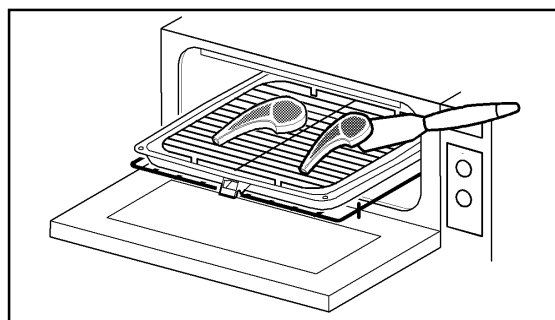
- Food should be thoroughly dried before grilling to minimise splashing. Brush lean meats and fish lightly with a little oil or melted butter to keep them moist during cooking.



- Accompaniments such as tomatoes and mushrooms may be placed underneath the grid when grilling meats.

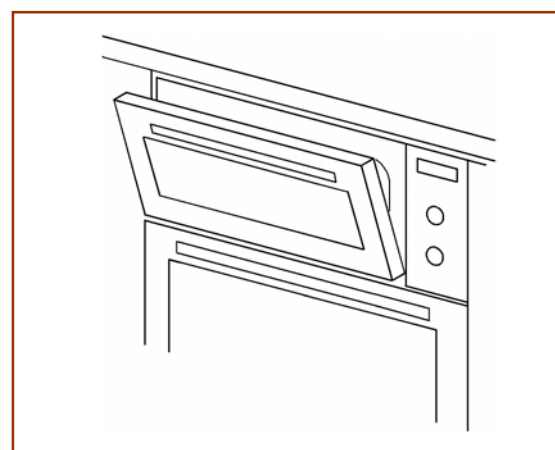


- The food should be turned over during cooking as required. **Do not** use the grill to keep food warm as it will continue to cook the food.



- The grill door must be left open when grilling. For convenience the grill door can be left ajar.

- Preheat the grill on full setting for a few minutes before sealing steaks or toasting. Adjust the heat setting and the shelf position as necessary during cooking.



## GRILLING CHART

The chart below gives recommended cooking times and shelf positions. Remember that these are a guide and should be adjusted to suit personal taste.

Note: Shelf positions are counted from the top downwards.

FOOD	GRILL TIME (Min)	Shelf	Grid Position
Bacon Rashers	3 – 5 each side	5	High
Beefburgers	6 – 10 each side	5	Low
Chicken Joints	15 – 20 each side	3	High
Chops - Lamb	7 – 10 each side	5	Low
Pork	10 – 15 each side	5	Low
Fish – Whole / Herring	8 – 12 each side	5	Low
Filletts – Plaice / Cod	4 – 6 each side	5	Low
Kebabs	10 – 15 each side	5	Low
Kidneys – Lamb	4 – 6 each side	5	Low
Pig	8 – 10 each side	5	Low
Liver – Lamb/Pig	5 – 10 each side	5	Low
Sausages	10 – 15 turn as required	5	Low
Steaks - Rare	3 – 6 each side	5	Low
Medium	6 – 8 each side	5	Low
Well Done	7 – 10 each side	5	Low
Browning e.g. au gratin, Lasagne, Shepherd's Pie	3 – 5 mins	3	-



## THE MAIN OVEN

### USES OF THE MAIN OVEN

The Fan oven is particularly suitable for cooking larger quantities of food or for weekend or celebration meals.

The advantages of Fan oven cooking are:

#### PREHEATING

The Fan oven quickly reaches its temperature so it is not usually necessary to preheat the oven. Without preheating however you may need to add an extra 5 – 10 minutes on the recommended cooking times. For recipes needing high temperatures e.g. bread, pastries, scones, soufflés etc., best results are achieved if the oven is preheated first. For best results when cooking frozen or cooked chilled ready meals always preheat the oven first.

#### COOKING TEMPERATURES

Fan oven cooking generally requires lower temperatures than conventional cooking. Follow the temperatures recommended in the chart on page 19 until you are familiar with the lower temperature associated with Fan oven cooking. As a guide reduce temperatures by 20°C - 25°C for your own recipes, using a conventional oven.

#### BATCH BAKING

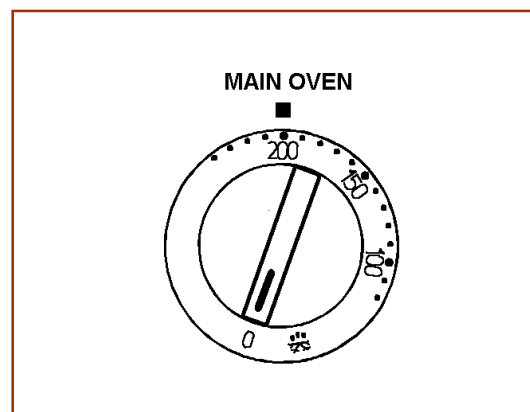
The Fan oven cooks evenly on all shelf levels, especially useful when batch baking.

### HOW TO USE THE FAN OVEN

1. Turn the Fan oven temperature control to the required setting.

#### THINGS TO NOTE

- The oven light will come on when the control is turned.
- The cooling fan for the controls will operate after a time. See page 6 for further details on the operation of the cooling fan.
- The Main Fan oven indicator neon will glow until the oven has reached the desired temperature. It will turn on and off periodically during cooking showing that the temperature is being maintained.
- If an automatic programme has been set, the oven fan and oven light do not come on until the cook time begins.

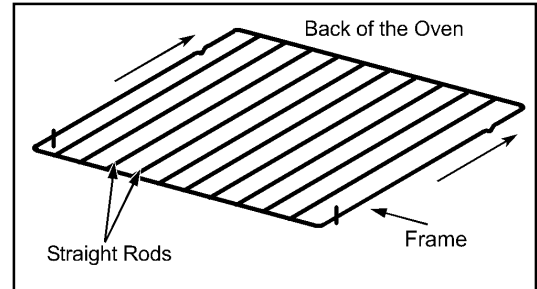
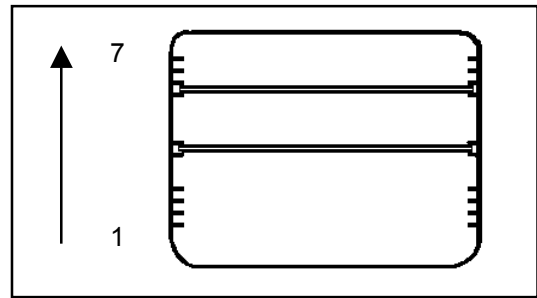


## TO FIT THE MAIN OVEN SHELVES

There are 7 shelf positions in the oven.

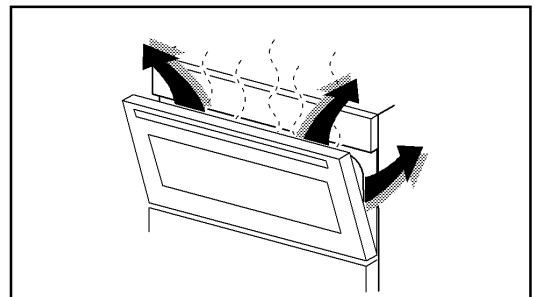
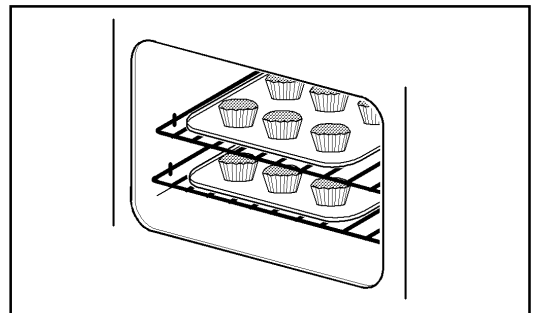
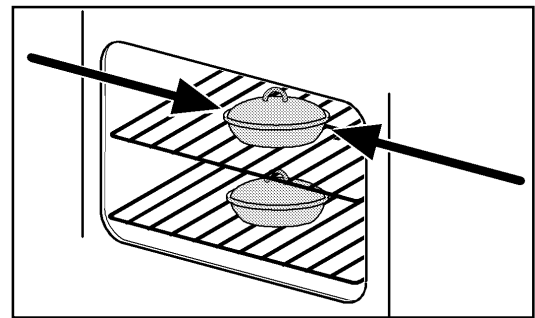
Shelves are numbered from the bottom upwards.

The shelves should be fitted with the straight rods uppermost on the frame and the forms towards the back of the oven. If not fitted correctly the anti-tilt and safety stop mechanism will be affected.



### **i** HINTS AND TIPS

- Arrange the shelves in the required positions before switching the oven on. Shelves are numbered from the bottom upwards.
- When cooking more than one dish in the fan oven, place dishes centrally on different shelves rather than cluster several dishes on one shelf, this will allow the heat to circulate freely for the best cooking results.
- It is recommended that when baking larger quantities, the shelf positions should be evenly spaced to suit the load being cooked. A slight increase in cooking time may be necessary.
- The material and finish of the baking tray and dishes will affect the degree of base browning of the food. Enamelware, dark, heavy or non-stick utensils increase base browning. Shiny aluminium or polished steel trays reflect the heat away and give less base browning.
- The use of excessively high temperatures can cause uneven browning. It may be necessary to reduce temperatures slightly. Refer to the recommendations given in the oven cooking chart, on page 19.
- For economy leave the door for the shortest possible time, particularly when placing food into a pre-heated oven.



## MAIN OVEN COOKING CHART

The oven temperatures are intended as a guide only. It may be necessary to increase or decrease the temperatures by a further 10°C to suit individual preferences and requirements.

Note: Shelf positions are counted from the bottom of the oven.

FOOD	SHELF POSITION	TEMP (°C)
Biscuits		160 - 190
Bread		210 - 220
Bread Rolls/Buns	Shelf	210 - 220
Cakes:		
Small & Queen		160 - 170
Sponges	positions	160 - 170
Victoria Sandwich		160 - 170
Madeira		140 - 150
Rich Fruit	are not	140 - 150
Christmas		130 - 140
Gingerbread	critical	140 - 150
Flapjack		170 - 180
Shortbread		140 - 150
Baked Custard	but ensure	140 - 150
Casseroles:		
Beef / Lamb		140 - 150
Chicken		160 - 180
Convenience Foods	that oven	According to Manufacturers Instructions
Fish		150 - 170
Fish Pie (Potato Topped)	shelves are	190 - 200
Fruit Pies, Crumbles		180 - 190
Milk Puddings		130 - 140
Pasta / Lasagne etc.	evenly	180 - 190
Pastry :		
Choux –		
Eclairs/Profiteroles		160 - 170
Flaky / Puff Pies	spaced	210 - 220
Shortcrust -		
Mince Pies		170 - 180
Meat Pies	when more	210 - 220
Quiche, Tarts, Flans		180 - 190
Roasting Meat / Poultry		160 - 180
Scones	than one is	200 - 210
Shepherd's Pie		190 - 200
Soufflés		170 - 180
Vegetables:		
Baked Jacket Potatoes	used	190 - 200
Roast Potatoes		200 - 210
Yorkshire Puddings: - Large		210 - 220
Individual		210 - 220

## ROASTING CHART

ROASTING CHART		
INTERNAL TEMPERATURES – Rare : 50-60°C; Medium : 60-70°C; Well done : 70-80°C		
MEAT	FAN OVEN	COOKING TIME
Beef	160-180°C	20-35 minutes per ½kg (1lb) and 20-35 minutes over
Beef, boned	160-180°C	25-35 minutes per ½kg (1lb) and 25-35 minutes over
Mutton and Lamb	160-180°C	25-35 minutes per ½kg (1lb) and 25-35 minutes over
Pork and Veal	160-180°C	30-40 minutes per ½kg (1lb) and 30-40 minutes over
Ham	160-180°C	30-40 minutes per ½kg (1lb) and 30-40 minutes over
Chicken	160-180°C	15-20 minutes per ½kg (1lb) and 20 minutes over
Turkey and Goose	160-180°C	15-20 minutes per ½kg (1lb) up to 3½kg (7lb) then 15 minutes per ½kg (1lb) over 3½kg (7lb)
Duck	160-180°C	25-35 minutes per ½kg (1lb) and 25-30 minutes over
Pheasant	160-180°C	35-40 minutes per ½kg (1lb) and 35-40 minutes over
Rabbit	160-180°C	20 minutes per ½kg (1lb) and 20 minutes over
Potatoes with meat	160-180°C	according to size
Potatoes without meat	180-190°C	according to size

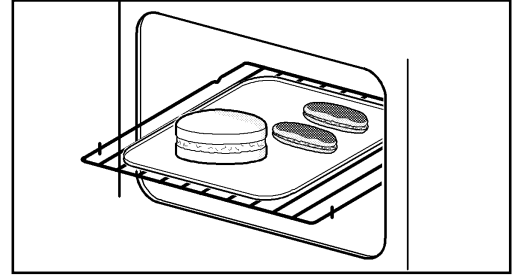
The roasting temperatures and times given in the chart should be adequate for most joints, but slight adjustments may be required to allow for personal requirements and the shape and texture of the meat. However, lower temperatures and longer cooking times are recommended for less tender cuts or larger joints.

Wrap joints in foil if preferred, for extra browning uncover for the last 20 – 30 min. cooking time.


## DEFROST FEATURE

### USES OF DEFROST FEATURE

This Fan oven function enables you to defrost most foods without heat faster than some conventional methods as the oven fan circulates air around the food. It is particularly suitable for delicate frozen foods which are to be served cold e.g. cream filled gateaux, cakes covered with icings or frostings, cheesecakes, biscuits, scones, etc.



### HOW TO DEFROST

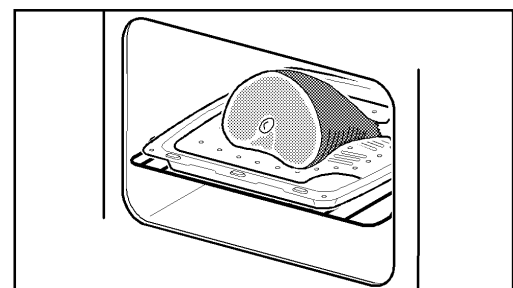
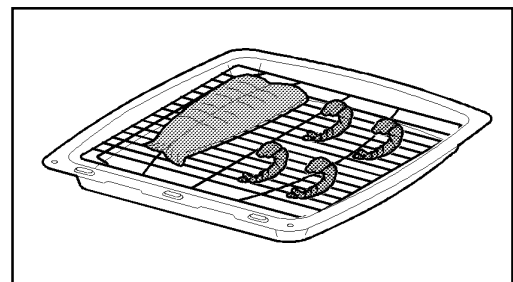
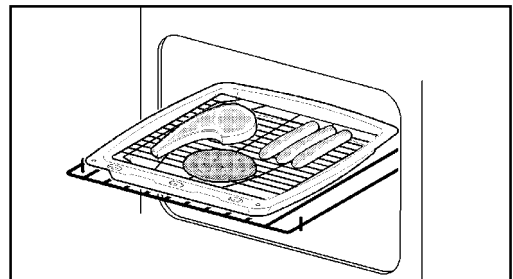
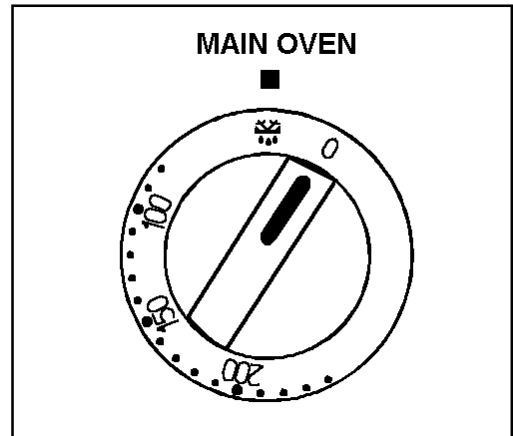
1. Turn the Main oven temperature control to the Defrost setting. 

### THINGS TO NOTE


- The oven fan and internal oven light will operate

### HINTS AND TIPS

- Place the frozen food in a single layer where possible and turn it over half way through the defrosting process.
- The actual speed of defrosting is influenced by room temperature. On warm days defrosting will be faster than on cooler days.
- It is preferable to thaw fish, meat and poultry slowly in the fridge. However, this process can be accelerated by using the defrost function. Small or thin fish fillets, frozen peeled prawns, cubed or minced meat, liver, thin chops, steaks etc., can be thawed in 1 – 2 hours.
- A 1kg/2¼lb oven ready chicken will be thawed in approximately 5 hours. Remove the giblets as soon as possible during the thawing process.
- Joints of meat up to 2kg/4½lb in weight can be thawed using the defrost function.
- All joints of meat and poultry must be thawed thoroughly before cooking.
- Always cook thoroughly immediately after thawing.
- **DO NOT** leave food at room temperature once it is defrosted. Cook raw food immediately or store cooked food in the fridge, once it has cooled.
- Care must always be taken when handling foods in the home. Always follow the basic rules of food hygiene to prevent bacterial growth and cross contamination when defrosting, preparing, cooking cooling and freezing foods.



## CARE AND CLEANING

 Before cleaning the appliance always allow the cooling fan for the controls to cool the appliance down before switching off the electricity supply.

### CLEANING MATERIALS

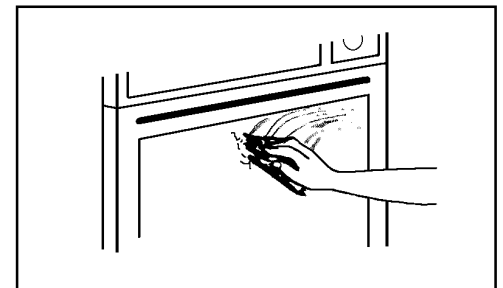
Before using any cleaning materials on your appliance, check that they are suitable and that their use is recommended by the manufacturer.

Cleaners that contain bleach should **NOT** be used as they may dull the surface finishes. Harsh abrasives should also be avoided.

### CLEANING THE OUTSIDE OF THE APPLIANCE

**DO NOT** use abrasive cleaning materials e.g. Hob Brite, Brillo pads or scourers on painted or printed finishes as damage may occur. Regularly wipe over the control panel, oven doors and appliance sides using a soft cloth and liquid detergent. To prevent streaking on stainless steel models (where applicable) finish with a soft cloth. **Any spillage on the stainless steel finish must be wiped off immediately.**

Stainless Steel cream cleaners are abrasive and should be avoided as they may dull the surface finish.



 Do not attempt to remove any of the control knobs from the appliance as this may cause damage and is a safety hazard.

### CLEANING THE CONTROL KNOBS AND HANDLES

It is strongly recommended that only hot soapy water is used for cleaning the control knobs and door handles. **ANY OTHER CLEANING MATERIALS WILL DULL THE SURFACE FINISH.**

### CLEANING INSIDE THE OVEN AND GRILL COMPARTMENT

The vitreous enamel coating in the oven and grill compartment can be cleaned using normal oven cleaners or aerosol oven cleaners with care. Ensure that the manufacturers instructions are followed and that all parts are well rinsed afterwards.

**Aerosol cleaners must not come into contact with elements or the door seal as this may cause damage.**

## CARE OF STAYCLEAN SURFACES

The back panel of the fan oven is coated with a Stayclean finish. This should not be cleaned manually.

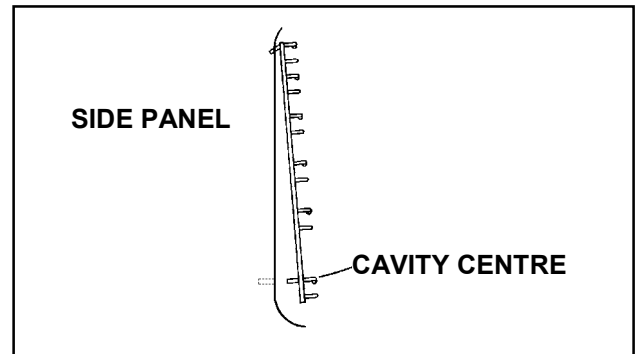
**Aerosol cleaners must not be used on Stayclean surfaces and must not come into contact with elements or the door seal, as this may cause damage.**

During normal use the Stayclean coating will become splashed with fats and food residues. By running the oven without food, the Stayclean surfaces burn off any soilage.

## TO REMOVE THE WIREWORK RUNNERS

The wirework runners in the grill and oven can be removed for cleaning.

1. Remove all shelves and furniture from the grill / oven compartments.
2. Hold the wirework at the bottom, unclip from the cavity side and gently pull towards the centre of the grill or oven compartment.
3. Unhook the runner at the top and remove it from the cavity.
4. To replace, hook the wirework back into the oven sides.



Ensure that the wirework runners are firmly in place before refitting the shelves.

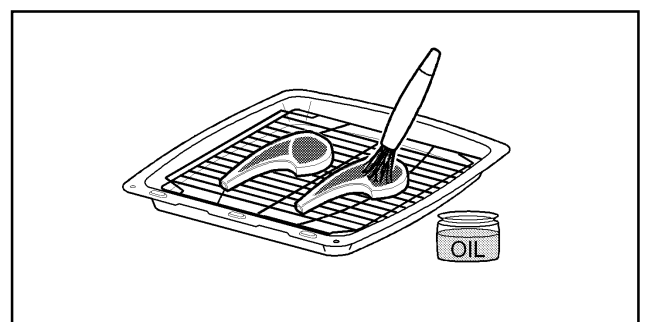
## CLEANING THE SHELVES, WIREWORK RUNNERS AND GRILL/OVEN FURNITURE

All removable parts, except the grill pan handle, can be washed in the dishwasher.

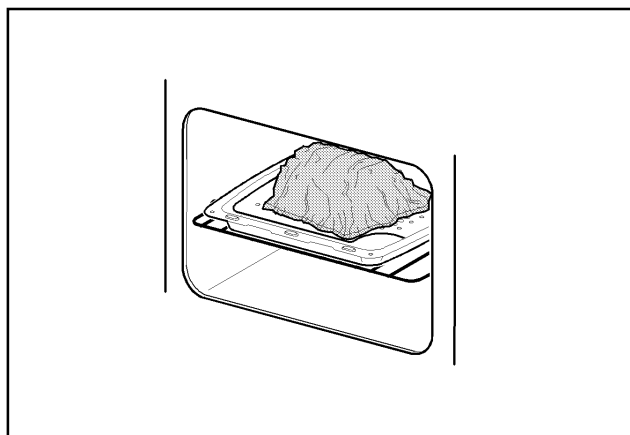
The grill pan, grill pan grid, oven shelves and wirework runners may be cleaned using a soap impregnated steel wool pad. Soaking first in hot soapy water will make cleaning easier.

## COOKING TO REDUCE SOILAGE

- Cook at the recommended temperatures. Higher temperatures during roasting will increase soilage. Try cooking at lower temperatures for an increased length of time, you will save energy and often the joint is more tender.
- Use minimal, if any, extra oil or fat when roasting meat, potatoes only require brushing with fat before cooking. Extra fat in the oven during roasting will increase splashing and soilage.



- It is **NOT** necessary to add water to a meat tin when roasting. The water and the fat juices from the joint create excessive splattering during cooking – even at normal temperatures, as well as causing condensation.
- Covering joints during cooking will also prevent splashing onto the interior surfaces. Removing the covering for the last 20-30 minutes will allow extra browning if required. Some large joints and turkeys especially benefit by this method of cooking, allowing the joint to cook through before the outside is over-browned.



## CLEANING THE OUTER AND INNER DOOR GLASS PANELS



To prevent damaging or weakening the door glass panels avoid the use of the following:

- Household detergents and bleaches
- Impregnated pads unsuitable for non-stick saucepans
- Brillo/Ajax pads or steel wool pads
- Chemical oven pads or aerosols
- Rust removers
- Bath/Sink stain removers

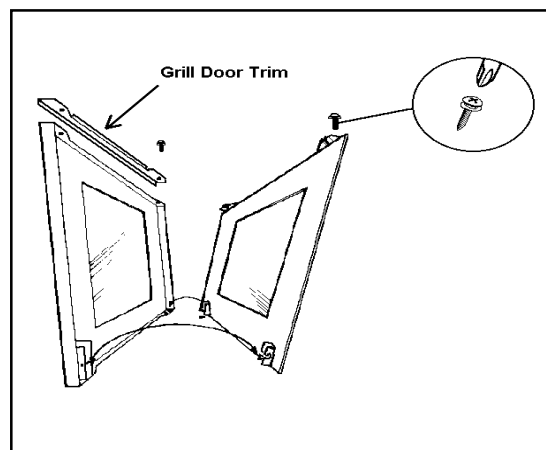
The outer grill and oven door glass panels are removable for cleaning.

### TO REMOVE THE OUTER GLASS

1. Open the grill or oven door slightly to gain access to the two cross head screws on the top of the oven door.
2. Loosen the two screws using a Pozidrive screwdriver.
3. Hold the door glass securely in place with one hand remove the screws and washers with the other hand.

The screws and washers retain the trim on the top of the grill door. Note the position of the trim on the door.

4. Holding the door and glass with one hand, gently pull towards you and slightly lift the door glass with the other hand to disengage the panel from the location point at the bottom of the door. Gently release the door to close it.
5. Clean the outer and inner glass using hot soapy water or Hob Brite. Should the inner face of the outer door glass be heavily soiled it is recommended that soapy water with a high concentration of soap is used. To prevent streaking a glass cleaning spray may be applied and the glass polished with a soft cloth. Ensure that all parts are thoroughly dry before attempting to replace the outer door glass.



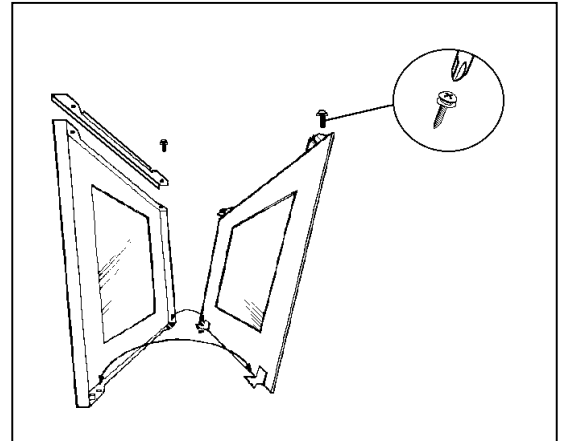




If the door glass panel becomes chipped or has deep scratches the glass will be weakened and must be replaced to prevent the possibility of the panel shattering. Please contact your local Service Force Centre who will be pleased to advise further.

## TO REPLACE THE OUTER DOOR GLASS

1. Holding the door glass panel with both hands, gently place the locators into the holes of the brackets at the bottom of the oven door.
2. Holding the door glass with your left hand, use your right hand to open the oven door. Bring the door gently towards the glass panel ensuring the screw location holes line up.
3. Place the trim in the correct position on the top of the grill door.
4. Hold the glass in place with one hand and insert the cross head screws with washers into the location holes with the other hand. Give the screws one turn to ensure the glass is secure.
5. Tighten the screws positively with a Pozidrive screwdriver before closing the oven door.



**DO NOT attempt to use the oven without the glass being in place.**

## TO CLEAN THE INNER GLASS DOOR

The inner glass door is not removable. Clean using hot soapy water or Hob Brite and a soft cloth. **DO NOT** use abrasives as they may damage the glass or seal.

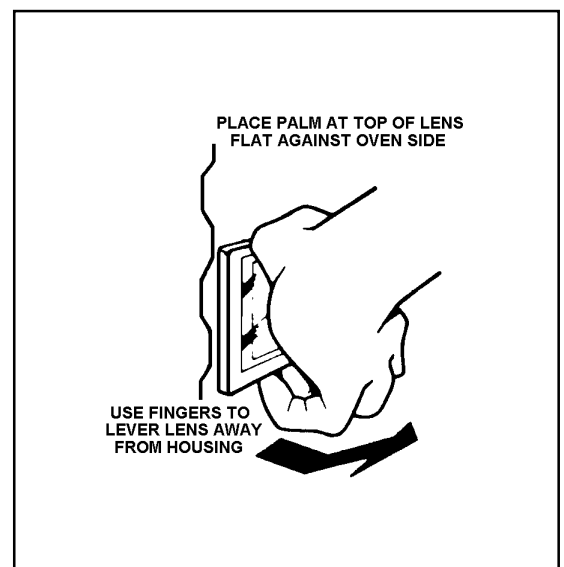
## REPLACING AN OVEN LIGHT BULB



**Isolate the appliance from the electricity supply before replacing the bulb.**

The type of bulb required is a 300°C, 25 watt small Edison Screw.

1. Make sure the appliances cool before you replace a bulb
2. Open the oven door and remove the shelves and wirework runners.  
Instructions on how to remove the wirework runners are given on page 23.
3. Pull the glass bulb cover towards you and then pull it off. If necessary use a screwdriver to carefully lever off the cover, taking care not to damage the oven cavity.
4. Unscrew the bulb by turning it to the left.
5. Fit a new bulb and then replace the glass bulb cover.
6. Refit the wirework runners and replace the oven shelves.
7. Restore the appliance to the electricity supply and reset the time of day.



## SOMETHING NOT WORKING

Please carry out the following checks on your appliance before calling a Service Engineer. It may be that the problem is a simple one which you can solve yourself without the expense of a service call.

If our Service Engineer finds that the problem is listed below you will be charged for the call whether or not the appliance is under guarantee.

PROBLEM	POSSIBLE SOLUTION
<b>The grill, oven and timer do not work.</b>	<p>Check that the appliance has been wired in to the appliance supply and is switched on at the wall.</p> <p>Check that the main cooker fuse is working.</p>
<b>The grill works but the fan oven does not.</b>	<p>Check that the timer is set for manual operation. See page 9.</p>
<b>The grill does not work or cuts out after being used for a long period of time.</b>	<p>Check that only the grill control has been turned.</p> <p>Ensure that the grill door is open when grilling.</p> <p>Leave the grill door open and allow the grill to cool. After a couple of hours check that the grill works as normal.</p> <p>Ensure the cooling fan is running when the grill is on. If the cooling fan fails, the grill will turn on and off. Contact your local Service Force Centre.</p>
<b>The timer does not work.</b>	<p>Check that the instructions for the operation of the timer are being closely followed.</p>
<b>The indicator neon is not working correctly.</b>	<p>Check that you have selected only the function you require. Ensure all other controls are in the Off '0' position.</p>
<b>The oven is not cooking evenly.</b>	<p>Check that the appliance is correctly installed and is level.</p> <p>Check that the recommended temperatures and shelf positions are being used.</p>

**The oven light fails to illuminate.**

The oven light bulb may need replacing see page 26.

If the main oven is set for automatic cooking the light will illuminate when the cook time begins.

**The oven fan is noisy.**

Check that the oven is level.

Check that the shelves and bakeware are not vibrating in contact with the oven back panel.

**The oven temperature is too high or low.**

Check that the recommended temperatures and shelf positions are being used. See page 19. Be prepared to adjust the temperature up or down by 10°C to achieve the results you want.

# SERVICE AND SPARE PARTS

In the event of your appliance requiring service, or if you wish to purchase spare parts, please contact your local Service Force Centre by telephoning:-

**0870 5 929929**

Your telephone call will be automatically routed to the Service Force Centre covering your post code area.

For the address of your local Service Force Centre and further information about Service Force, please visit the website at [www.serviceforce.co.uk](http://www.serviceforce.co.uk)

Before calling out an engineer, please ensure you have read the details under the heading "Something Not Working".

When you contact the Service Force Centre you will need to give the following details:

1. Your name, address and post code.
2. Your telephone number.
3. Clear and concise details of the fault.
4. The model and serial number of the appliance (found on the rating plate).
5. The purchase date.

**Please note that a valid purchase receipt or guarantee documentation is required for in-guarantee service calls.**

## CUSTOMER CARE DEPARTMENT

For general enquires concerning your Electrolux appliance, or for further information on Electrolux products, please contact our Customer Care Department by letter or telephone at the address below or visit our website at [www.electrolux.co.uk](http://www.electrolux.co.uk)

Customer Care Department  
Electrolux  
55 – 77 High Street  
Slough  
Berkshire  
SL1 1DZ  
Tel: 0870 5 950950 (\*)

\*calls to this number may be recorded for training purposes.

## GUARANTEE CONDITIONS

### Standard guarantee conditions

We, Electrolux, undertake that if within 12 months of the date of the purchase this Electrolux appliance or any part thereof is proved to be defective by reason only of faulty workmanship or materials, we will, at our option repair or replace the same FREE OF CHARGE for labour, materials or carriage on condition that:

- The appliance has been correctly installed and used only on the electricity supply stated on the rating plate.
- The appliance has been used for normal domestic purposes only, and in accordance with the manufacturer's instructions.
- The appliance has not been serviced, maintained, repaired, taken apart or tampered with by any person not authorised by us.
- All service work under this guarantee must be undertaken by a Service Force Centre.
- Any appliance or defective part replaced shall become the Company's property.
- This guarantee is in addition to your statutory and other legal rights.

Home visits are made between **8.30am** and **5.30pm** Monday to Friday. Visits may be available outside these hours in which case a **premium** will be charged.

### Exclusions

**This guarantee does not cover:**

- Damage or calls resulting from transportation, improper use or neglect, the replacement of any light bulbs or removable parts of glass or plastic.
- Costs incurred for calls to put right an appliance which is improperly installed or calls to appliances outside the United Kingdom.
- Appliances found to be in use within a commercial environment, plus those which are subject to rental agreements.
- Products of Electrolux manufacture which are not marketed by Electrolux.

### European Guarantee

If you should move to another country within Europe then your guarantee moves with you to your new home subject to the following qualifications:

- The guarantee starts from the date you first purchased your product.
- The guarantee is for the same period and to the same extent for labour and parts as exists in the new country of use for this brand or range of products.
- This guarantee relates to you and cannot be transferred to another user.
- Your new home is within the European Community (EC) or European Free Trade Area.
- The product is installed and used in accordance with our instructions and is only used domestically, i.e. a normal household.
- The product is installed taking into account regulations in your new country.

Before you move please contact your nearest Customer Care centre, listed below, to give them details of your new home. They will then ensure that the local Service Organisation is aware of your move and able to look after you and your appliances.

France	Senlis	+33 (0) 3 44 62 20 13
Germany	Nürnberg	+49 (0) 800 234 7378
Italy	Pordernone	+39 (0) 800117511
Sweden	Stockholm	+46 (0) 20 78 77 50
UK	Slough	+44 (0) 1753 219898

## TECHNICAL DETAILS

Voltage: 230-240 Volts AC 50Hz

Loading Info:

Dual Grill: 2.8kW

Main Fan Oven

Fan Element: 2.5kW

Fan Motor: 0.03kW

Oven Light: 0.05kW

Wattage: 4.9 - 5.3kW

Height: 720 mm

Width: 593 mm

Depth: 585 mm  
(excluding handles and knobs)

Weight: 50.0kg



This appliance complies with: European Council Directive 73/23/EEC.  
EMC Directive 89/336/EEC.  
CE Marking Directive 93/68/EEC

# INSTALLATION INSTRUCTIONS

## WARNINGS:



- This appliance must be installed by a qualified electrician/competent person. Safety may be impaired if installation is not carried out in accordance with these instructions.
- This appliance must be earthed.
- Do not remove the screws from the earth tab extending from the oven mains terminal block (Fig. 1).
- Before connecting the appliance make sure that the voltage of your electricity supply is the same as that indicated on the rating plate. This is situated on the lower front frame of the appliance and can be seen upon opening the door. Alternatively the rating plate may also be found on the back or top of some models (where applicable).
- Do not alter the electrical circuitry of this appliance.

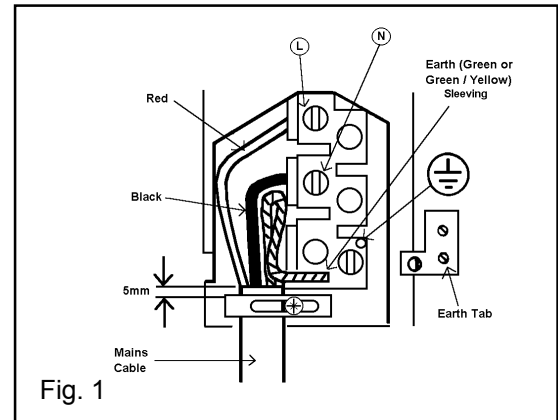


Fig. 1

## CHOICE OF ELECTRICAL CONNECTION

- The appliance should be operated using at least 6mm<sup>2</sup> twin core and earth PVC insulated multicore cable. Please choose from the most appropriate after reading the descriptions:
- By connecting the appliance to a cooker point having a double pole isolating switch providing at least 3mm contact separation in all poles and protected with a fuse or miniature circuit breaker at your mains fuse box.
- If you wish to connect an oven and a hob to a cooker point you can, by connecting the oven and hob separately to the cooker point. Oven and hob units should be separately connected to a cooker point. See Fig. 2.

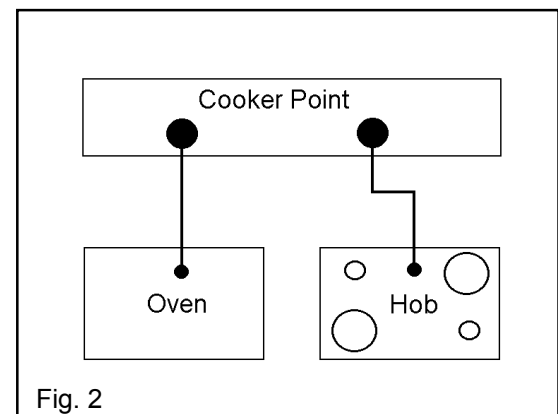


Fig. 2

## INSTALLATION INSTRUCTIONS

**NOTE:** It is good practice to :

- Fit an Earth Leakage Circuit Breaker to your house wiring.
- Wire your appliance to the latest IEE regulations.

### THINGS TO NOTE

- This appliance is designed to be fitted between cabinets with the recommended dimensions as shown Fig. 3 & 4.
- If there is an existing housing unit it must be removed.
- The dimensions given provide adequate air circulation around the unit within the cabinet, ensuring compliance with BS EN60-335.
- This appliance must not be installed on the wooden base board.
- Enquiries regarding the installation of the cooker point, if required, should be made to your Regional Electricity Company to ensure compliance with their regulations.
- The cooker point should be within 2m of the appliance to make it accessible to switch off the appliance in case of an emergency.
- To protect the hands, wear gloves when lifting the oven into its housing.



**Do not lift the appliance by the handles.**

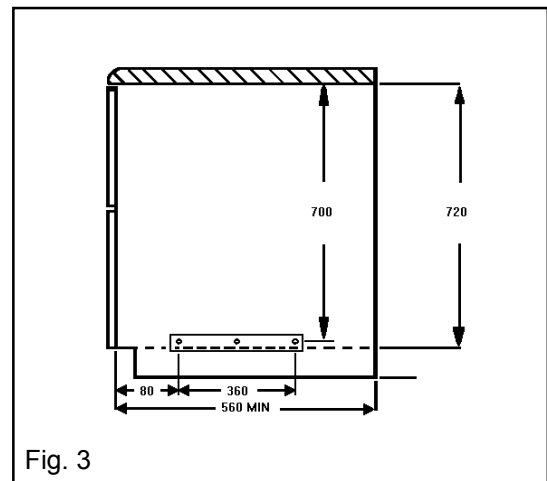


Fig. 3

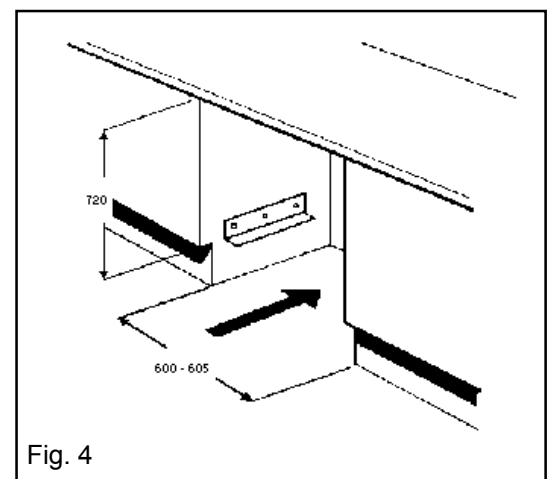


Fig. 4

### NOTE: HOUSE CIRCUIT

Earth leakage and continuity tests must be carried out before the appliance is connected to the mains supply and re-checked after fitting.



# INSTALLATION INSTRUCTIONS

## PREPARING CABINET FOR FITTING OF OVEN

- Make sure the space between the cabinets is the correct size for the appliance to be fitted (Ref. Fig. 5 & 6).
- The plinth board spanning the space into which the appliance is to be installed should be removed.
- If the size is between adjacent cabinets is 605-610mm, then the cabinets should be modified so that the recommended dimension of at least 600-605mm is maintained.
- The adjacent cabinets must be stable and level by firmly securing it to the wall or floor. If necessary, make arrangements to ensure the shelf upon which the oven will rest is level.
- The adjacent cabinets must be stable and firmly secured to the wall or floor. If necessary, make arrangements to ensure the work surface below which the oven will rest is level.
- Drill two pilot screw holes into the sides of the adjacent cabinets, in the positions indicated by Fig. 5 .
- Fit the appliance mounting brackets using the two holes indicated in Fig. 7 to the adjacent cabinets ( Ref. Fig. 5 & 6).

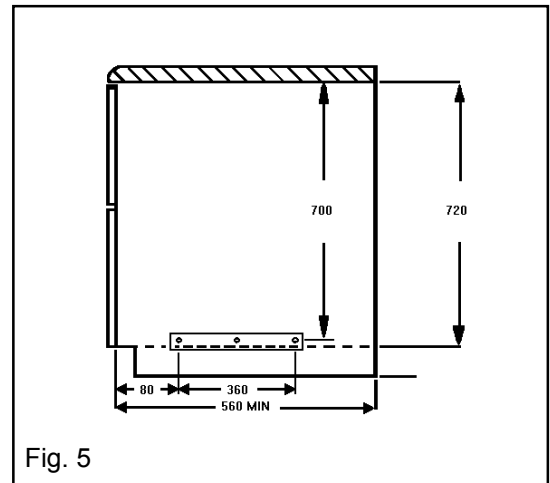


Fig. 5

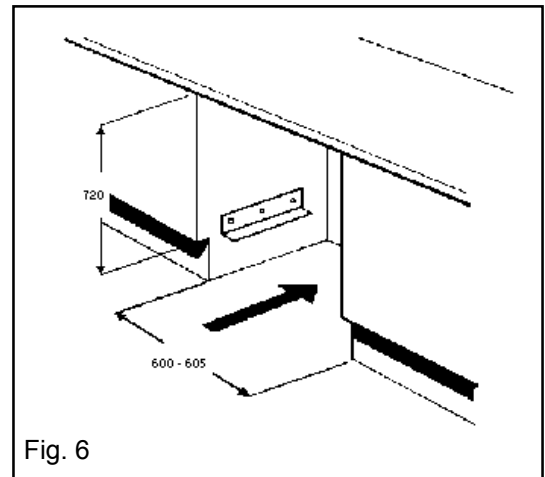


Fig. 6

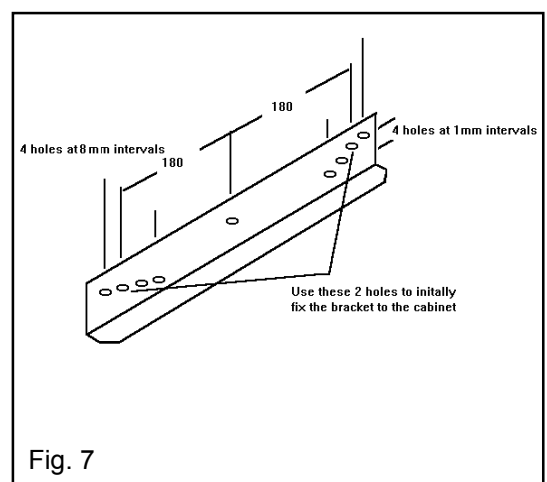


Fig. 7

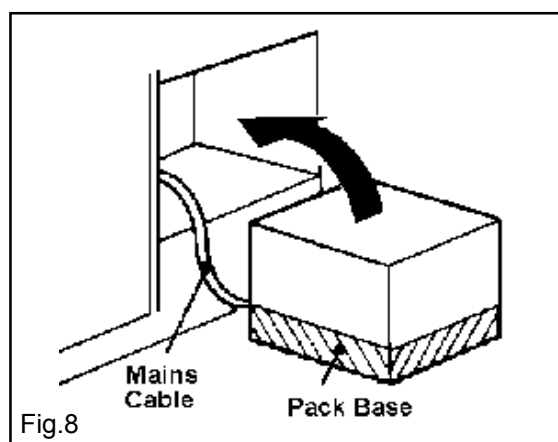
## INSTALLATION INSTRUCTIONS

- Check that the mounting brackets are level. They can be adjusted if necessary by using the extra holes at the ends of the brackets. Once the brackets are level, drill a pilot hole through the central hole in the bracket and fit the remaining screw.

### HOW TO FINISH UNPACKING

- Place packed appliance next to the space in which it will be installed. See Fig. 8.
- Remove the appliance packing except for bottom tray which should be left in position until the appliance is ready to be fitted into its cabinet.
- Ensure the owner is given these operating instructions.

**NOTE:** It is imperative that the appliance is left in the base to protect both the appliance and the floor.



**Important:** Switch off at mains, miniature circuit breaker and, if appropriate, remove fuse before commencing any electrical work.

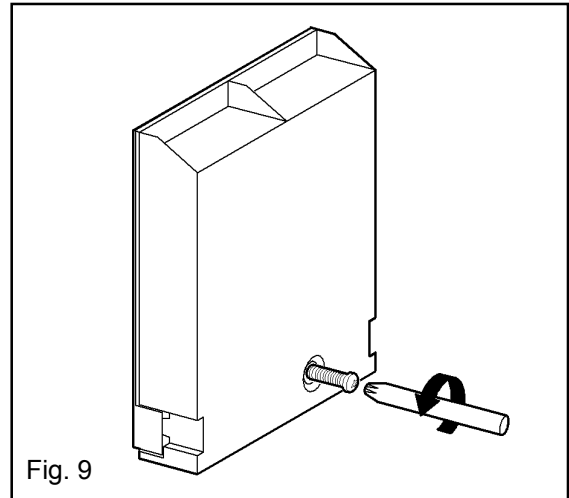
---

## MAKING THE ELECTRICAL CONNECTIONS

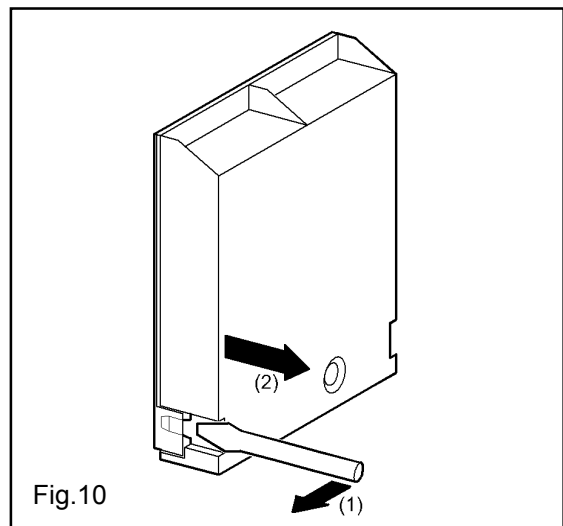
### TO REMOVE COVER OF MAINS TERMINAL

From the rear of the appliance, remove mains input terminal cover to gain access to terminal block.

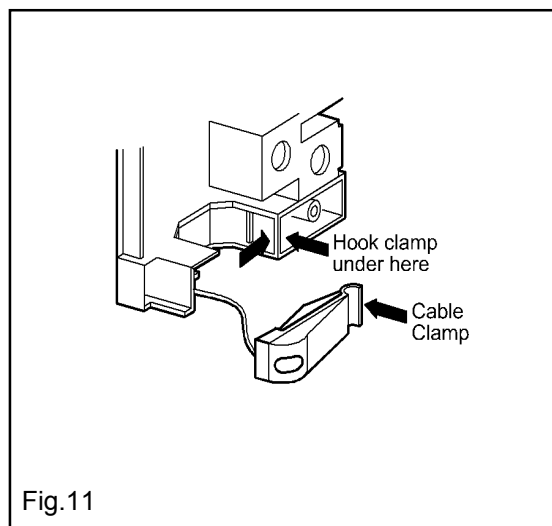
- First remove retaining screw with pozidrive screwdriver. See Fig. 9.



- Prise cover loose using screwdriver in position (1) then lever off with screwdriver in position (2) at either side. See Fig. 10.



- Lift cover and remove screw from cable clamp. See Fig. 11.

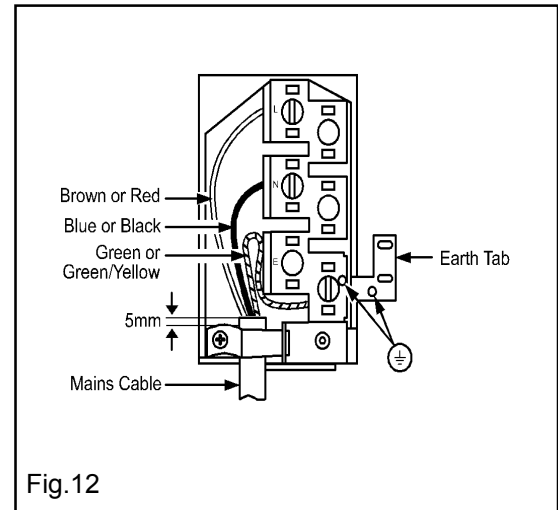


## MAKING THE ELECTRICAL CONNECTIONS

### CONNECTING TO THE MAINS TERMINAL

 **Warning: This appliance must be earthed.**

- We recommend you use a new length of 6mm<sup>2</sup> twin core and earthed cable to ensure your safety.
- Make connection as shown in Fig. 12 by proceeding as follows:-
- Preform wires to the appropriate shape to suit fitting into the mains terminal block.
- Strip inner insulation on wires using wirestrippers.
- Twist the bared wires using pliers.
- Cut bared wires 10mm away from the end of the inner insulation. Where uninsulated Earth wires are used ensure they are suitably sheathed to leave 10mm bare wire to fit into the terminal.
- Clamp bare wires into the relevant terminal and check they are held by tugging each one in turn.
- Clamp the mains cable securely ensuring 5mm of the outer insulation is inside the terminal block and that the wires are not taught but not so slack as to cause any fouling. See Fig. 12.
- Connect the remaining end to the mains cable to the cooker point/junction box.
- Place fuse/miniature circuit breaker in circuit and switch on at mains.



## MAKING THE ELECTRICAL CONNECTIONS


### CHECKING ELECTRICAL CONNECTIONS

- Confirm the appliance is correctly connected by switching on and observing the various oven functions indicators.
- The electronic timer will flash on and off.

### CONNECTING TO A HOB OR COOKER POINT

- Either follow in general terms the instructions for connecting to the terminal block or refer to the hob suppliers installation instructions.

---

 **Feed the cable through the cabinet and arrange to route the cable away from the appliance.**

---

### NOTE: HOUSE CIRCUIT

Earth leakage and continuity tests must be carried out before the appliance is connected to the mains supply and re-checked after fitting.

# INSTALLATION INSTRUCTIONS

## FITTING INTO THE SPACE BETWEEN CABINETS



**IMPORTANT:** Ensure that the oven is switched off at the wall before any further work is carried out.

- Ensure the appliance is in front of the cabinet. See Fig. 13.
- Take out all oven furniture before installation to reduce the weight you need to lift.
- To place the appliance into the space between cabinetry follow the procedure below:
- **N.B. Two people will be required to carry out the lifting procedure.**
- **Warning: Do not attempt to lift this appliance by the handle(s).**

Each person should squat either side of the appliance.

Tilt the appliance so that your hands can support the underside of the appliance.

Raise the appliance to the correct height.

Rest the rear underside of the appliance on the mounting brackets while your hands support the front.

The appliance can be pushed fully into the space. Take care to avoid fouling the mains lead.

Ensure the appliance is central and level.

- When the appliance is fully housed, screw the stability screws (supplied with the appliance) into the underside of the worksurface in the positions indicated (see Fig. 14), taking care not to distort the trim. It is advisable to turn each screw alternatively to avoid damaging the trim.
- Place the top trim flush with the edge of the worksurface, with the cork spacers up over (see Fig.15) and screw into position using the screws supplied with the appliance.
- Replace the plinth board.
- Switch on the appliance and refer the user to the operating instructions.

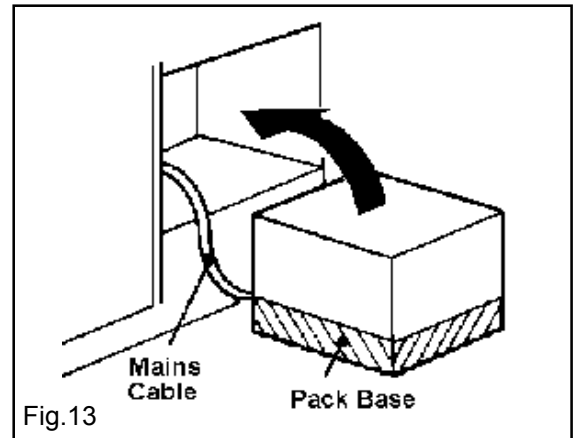


Fig.13

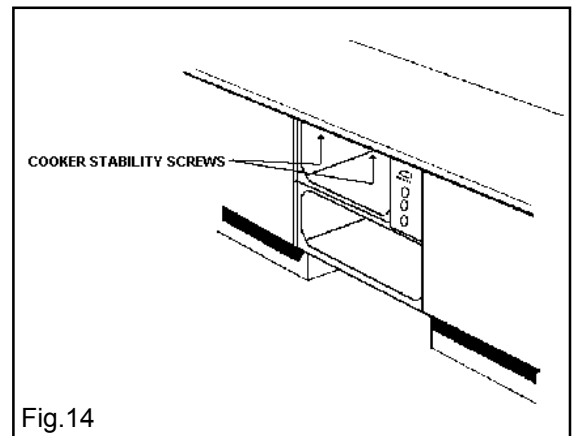


Fig.14

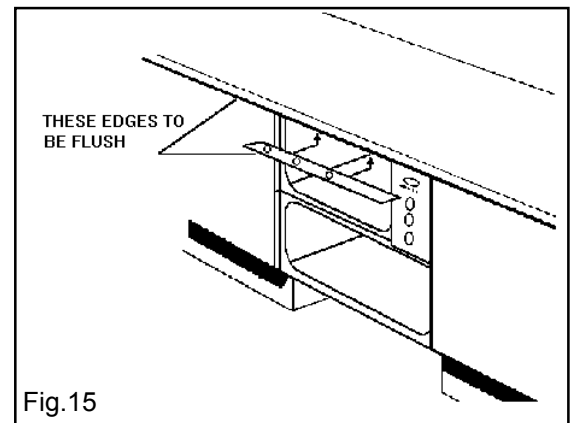


Fig.15

## NOTES

## IMPORTANT NOTICE

In line with our continuing policy of research and development, we reserve the right to alter models and specifications without prior notice.

This instruction booklet is accurate at the date of printing, but will be superseded if specifications or appearance are changed.

ELECTROLUX  
55 – 77 HIGH STREET,  
SLOUGH,  
BERKSHIRE,  
SL1 1DZ.  
TELEPHONE 0870 5 950950

Part Number: 311652900

© Electrolux plc 2003

 **The Electrolux Group.** *The world's No.1 choice.*

*The Electrolux Group is the world's largest producer of powered appliances for kitchen, cleaning and outdoor use. More than 55 million Electrolux Group products (such as refrigerators, cookers, washing machines, vacuum cleaners, chain saws and lawn mowers) are sold each year to a value of approx. USD 14 billion in more than 150 countries around the world.*